



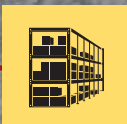
**STRONG PARTNERS.  
TOUGH TRUCKS.™**



# VNA MAN-UP TRUCKS

**C1.0, C1.3, C1.5**

**1000 – 1500KG @ 600MM**



# C1.0, C1.3, C1.3 80, C1.3 L, C1.5 S, C1.5 M, C1.5 L

DISTINGUISHING MARKS	1.1	Manufacturer (abbreviation)	
	1.2	Manufacturer's type designation	
	1.3	Drive: electric (battery or mains), diesel, petrol, fuel gas	
	1.4	Operator type: hand, pedestrian, standing, seated, order-picker	
	1.5	Rated capacity / rated load	Q (t)
	1.6	Load centre distance	c (mm)
	1.8	Load distance, centre of drive axle to fork	x (mm)
	1.9	Wheelbase	y (mm)

WEIGHTS	2.1	Service weight	kg
	2.2	Axle loading, laden front/rear	kg
	2.3	Axle loading, unladen front/rear	kg
	2.4	Axle loading, fork advanced, laden front/rear	kg
	2.5	Axle loading, fork retracted, laden front/rear	kg

TYRES / CHASSIS	3.1	Tyres: polyurethane, tophane, vulkollan, front/rear	
	3.2	Tyre size, front	
	3.3	Tyre size, rear	
	3.5	Wheels, number front/rear (x = driven wheels)	
	3.6	Tread, front	b <sub>10</sub> (mm)
	3.7	Tread, rear	b <sub>11</sub> (mm)

DIMENSIONS	4.2	Height, mast lowered	h <sub>1</sub> (mm)
	4.3	Free lift	h <sub>2</sub> (mm)
	4.4	Lift	h <sub>3</sub> (mm)
	4.5	Height, mast extended	h <sub>4</sub> (mm)
	4.7	Height of overhead guard (cabin)	h <sub>5</sub> (mm)
	4.8	Seat height relating to SIP/stand height	h <sub>7</sub> (mm)
	4.11	Additional Lift	h <sub>10</sub> (mm)
	4.14	Stand height, elevated	h <sub>12</sub> (mm)
	4.15	Height, lowered	h <sub>13</sub> (mm)
	4.19	Overall length	l <sub>1</sub> (mm)
	4.20	Length to face of forks	l <sub>2</sub> (mm)
	4.21	Overall width	b <sub>1</sub> /b <sub>2</sub> (mm)
	4.22	Fork dimensions DIN ISO 2331	s/e/l (mm)
	4.23	Fork carriage ISO 2328, class/type A, B	
	4.24	Fork-carriage width	b <sub>3</sub> (mm)
	4.25	Distance between fork-arms	b <sub>5</sub> (mm)
	4.27	Width across guide rollers	b <sub>6</sub> (mm)
	4.29	Reach, lateral	b <sub>7</sub> (mm)
	4.31	Ground clearance, laden, below mast	m <sub>1</sub> (mm)
	4.32	Ground clearance, center of wheelbase	m <sub>2</sub> (mm)
	4.34.2	Aisle width for pallets 800mm x 1200mm lengthwise	A <sub>1</sub> (mm)
4.35	Turning radius	W <sub>9</sub> (mm)	
4.38	Distance to swiveling-fork pivot	l <sub>8</sub> (mm)	
4.39	Length rotator arm	n (mm)	
4.40	Width traverse frame	B (mm)	
4.41	Lost rotator width	F (mm)	
4.42	Transfer aisle width pallet 1200 x 1200 mm	Au (mm)	

PERFORMANCE DATA	5.1	Travel speed, laden/unladen	km/h
	5.2	Lift speed, laden/unladen	m/s
	5.3	Lowering speed, laden/unladen	m/s
	5.4	Reaching speed, laden/unladen	m/s
	5.7	Gradeability, laden/unladen	%
	5.10	Service brake	

ELECTRIC ENGINE	6.1	Drive motor S2 60 minute rating	kW
	6.2	Lift motor S3 15% rating	kW
	6.3	Battery according to DIN 43531/35/36 A,B,C, no	
	6.4	Battery voltage/nominal capacity K5	(V)/(Ah)
	6.5	Battery weight	Kg
	6.6	Energy consumption according to VDI cycle	kWh/h at number of cycles

DRIVETRAIN MECHANISM	8.1	Type of drive unit	
----------------------	-----	--------------------	--

ADDITIONAL DATA	10.1	Operating pressure for attachments	bar
	10.2	Oil volume for attachments	l/min
	10.7	Sound pressure level at the driver's seat	dB (A)

HYSTER	HYSTER	HYSTER
C1.0	C1.3	C1.3 80
Electric (Battery)	Electric (Battery)	Electric (Battery)
Seated / Standing	Seated / Standing	Seated / Standing
1	1.362	1.362
600	600	600
431 ◆	431 ◆	431 ◆
1783	1943	1943

6276 *		6701 *		6701 *	
5590 *	1886 *	5874 *	2127 *	5874 *	2127 *
3796 *	2480 *	3987 *	2714 *	3987 *	2714 *
TBD	TBD	TBD	TBD	TBD	TBD
TBD	TBD	TBD	TBD	TBD	TBD

polyurethane/polyurethane		polyurethane/polyurethane		polyurethane/polyurethane	
350 x 140		350 x 140		350 x 140	
400 x 160		400 x 160		400 x 160	
2	1(x)	2	1(x)	2	1(x)
1080 - 1285 - 1435 - 1585		1080 - 1285 - 1435 - 1585		1080 - 1285 - 1435 - 1585	
0		0		0	

see table (mast 2 stg)	see table (mast 2/3 stg)	see table (mast 2/3 stg)
-	-	-
see table (mast 2 stg)	see table (mast 2/3 stg)	see table (mast 2/3 stg)
see table (mast 2 stg)	see table (mast 2/3 stg)	see table (mast 2/3 stg)
see table	see table	see table
425	425	425
1980 - 2140 - 2720 - 3000	1980 - 2140 - 2720 - 3000	1980 - 2140 - 2720 - 3000
see table	see table	see table
80	80	80
3538 (6)	3698 ◆(6)	3698 ◆(6)
4484 ◆	4644 ◆	4644 ◆
1220 / 1220 - 1425 - 1575 - 1725	1220 / 1220 - 1425 - 1575 - 1725	1220 / 1220 - 1425 - 1575 - 1725
45 / 100 / 1200 ◆	45 / 100 / 1200 ◆	45 / 100 / 1200 ◆
No	No	No
720	720	720
508 ÷ 720	508 ÷ 720	508 ÷ 720
1275 - 1475 - 1625 - 1775	1275 - 1475 - 1625 - 1775	1275 - 1475 - 1625 - 1775
990 - 1190 - 1340 - 1490	990 - 1190 - 1340 - 1490	990 - 1190 - 1340 - 1490
100	100	100
75	75	75
1600 †	1600 †	1600 †
2100	2250	2250
1101 ◆△	1101 ◆△	1101 ◆△
670	670	670
1200 - 1400 - 1550 - 1700	1200 - 1400 - 1550 - 1700	1200 - 1400 - 1550 - 1700
210	210	210
4140 ◆	4295 ◆	4295 ◆

9.9	10	10.4	10.5	10.4	10.5
0.33	0.42	0.33	0.42	0.36	0.42
0.50	0.50	0.50	0.50	0.60	0.60
0.19	0.20	0.19	0.20	0.19	0.20
6		6		6	
electric / mechanical		electric / mechanical		electric / mechanical	

7.5			7.5				8	
2 x 12			2 x 12				2 x 15	
DIN B	DIN C	DIN C	no	DIN B	DIN C	no	no	DIN A
48/560	48/560	48/700	48/625	48/700	48/840	48/930	48/1085	80/420
950	1000	1300	1400	1360	1360			1360
on request			on request				on request	

AC - MOSFET	AC - MOSFET	AC - MOSFET
-------------	-------------	-------------

150	150	150
6	6	6
< 70	< 70	< 70

Specification data is based on VDI 2198

HYSTER		HYSTER		HYSTER		HYSTER		
C1.3 LWB		C1.5 SWB		C1.5 MWB		C1.5 LWB		1.1
Electric (Battery)		Electric (Battery)		Electric (Battery)		Electric (Battery)		1.2
Seated / Standing		Seated / Standing		Seated / Standing		Seated / Standing		1.3
1.362		1.589		1.589		1.589		1.4
600		600		600		600		1.5
431 ↗		431 ↗		431 ↗		431 ↗		1.6
2063		2063		2193		2388		1.8
								1.9

DISTINGUISHING MARKS

7034 *		7170 *		7685 *		7921 *		
6060 *	2274 *	6324 *	2346 *	6587 *	2598 *	6699 *	2722 *	2.1
4196 *	2838 *	4205 *	2965 *	4488 *	3197 *	4642 *	3279 *	2.2
TBD	TBD	TBD	TBD	TBD	TBD	TBD	TBD	2.3
TBD	TBD	TBD	TBD	TBD	TBD	TBD	TBD	2.4
TBD	TBD	TBD	TBD	TBD	TBD	TBD	TBD	2.5

WEIGHTS

polyurethane/polyurethane		polyurethane/polyurethane		polyurethane/polyurethane		polyurethane/polyurethane		
350 x 140		350 x 140		350 x 140		350 x 140		3.1
406 x 178		406 x 178		406 x 178		406 x 178		3.2
2	1(x)	2	1(x)	2	1(x)	2	1(x)	3.3
1080 - 1285 - 1435 - 1585		1080 - 1285 - 1435 - 1585		1080 - 1285 - 1435 - 1585		1080 - 1285 - 1435 - 1585		3.5
0		0		0		0		3.6
								3.7

TIRES / GRASSIS

see table (mast 2/3 stg)		see table (mast 2/3 stg)		see table (mast 2/3 stg)		see table (mast 2/3 stg)		4.2
-		-		-		-		4.3
see table (mast 2/3 stg)		see table (mast 2/3 stg)		see table (mast 2/3 stg)		see table (mast 2/3 stg)		4.4
see table (mast 2/3 stg)		see table (mast 2/3 stg)		see table (mast 2/3 stg)		see table (mast 2/3 stg)		4.5
see table		see table		see table		see table		4.7
425		425		425		425		4.8
1980 - 2140 - 2720 - 3000		1980 - 2140 - 2720 - 3000		1980 - 2140 - 2720 - 3000		1980 - 2140 - 2720 - 3000		4.11
see table		see table		see table		see table		4.14
80		80		80		80		4.15
3818 ↗ ● △		3818 ↗ ● △		3948 ● △		4143 ● △		4.19
4764 ↗		4764 ↗		4894 ●		5089 ●		4.20
1220 / 1220 - 1425 - 1575 - 1725		1220 / 1220 - 1425 - 1575 - 1725		1220 / 1220 - 1425 - 1575 - 1725		1220 / 1220 - 1425 - 1575 - 1725		4.21
45 / 100 / 1200 ◆		45 / 100 / 1200 ◆		45 / 100 / 1200 ◆		45 / 100 / 1200 ◆		4.22
No		No		No		No		4.23
720		720		720		720		4.24
508 ÷ 720		508 ÷ 720		508 ÷ 720		508 ÷ 720		4.25
1275 - 1475 - 1625 - 1775		1275 - 1475 - 1625 - 1775		1275 - 1475 - 1625 - 1775		1275 - 1475 - 1625 - 1775		4.27
990 - 1190 - 1340 - 1490		990 - 1190 - 1340 - 1490		990 - 1190 - 1340 - 1490		990 - 1190 - 1340 - 1490		4.29
100		100		100		100		4.31
75		75		75		75		4.32
1600 †		1600 †		1600 †		1600 †		4.34.2
2370		2370		2495		2685		4.35
1101 ↗ △		1101 ↗ △		1101 ● △		1101 ● △		4.38
670		670		670		670		4.39
1200 - 1400 - 1550 - 1700		1200 - 1400 - 1550 - 1700		1200 - 1400 - 1550 - 1700		1200 - 1400 - 1550 - 1700		4.40
210		210		210		210		4.41
4410 ↗		4410 ↗		4540 ●		4735 ●		4.42

DIMENSIONS

10.4	10.5	10.4	10.5	10.4	10.5	10.4	10.5	5.1
0.33	0.42	0.35	0.4	0.35	0.4	0.35	0.4	5.2
0.50	0.50	0.60	0.60	0.60	0.60	0.60	0.60	5.3
0,19	0,20	0,19	0,20	0,19	0,20	0,19	0,20	5.4
6		6		6		6		5.7
electric / mechanical		electric / mechanical		electric / mechanical		electric / mechanical		5.10

PERFORMANCE DATA

7.5				8			8			8				
2 x 12				2 x 15			2 x 15			2 x 15				6.1
no	no	no	no	no	no	DIN A	DIN A	no	no	DIN A	no	no	no	6.2
48/875	48/1000	48/1085	48/1240	72/625	72/775	80/560	80/700	72/750	72/780	80/840	72/875	72/1000	72/1240	6.3
1400	1640	1580	1792	815	855	1600	1900	940	967	1900	1070	1253	1320	6.4
on request				on request			on request			on request				6.5
														6.6

ELECTRIC ENGINE

AC - MOSFET	AC - MOSFET	AC - MOSFET	AC - MOSFET	8.1
-------------	-------------	-------------	-------------	-----

DRIVE TRAIN MECHANISM

150	150	150	150	10.1
6	6	6	6	10.2
< 70	< 70	< 70	< 70	10.3

ADDITIONAL DATA

# MAST INFORMATION

Values shown are for standard equipment. When using non-standard equipment these values may change. Please contact your Hyster dealer for information.

## 2 STAGE TRI-FORM MAST

MODEL	MFH H	OALH h1	OALH h6 (Mini Mast)	FL h9	ML h3	Ext Ht W/LBRX h4'	Ext Ht h4	Platform Ht h12
	mm	mm	mm	mm	mm	mm	mm	mm
<b>C1.0</b> <b>C1.3</b> <b>C1.3 80</b> <b>C1.3 LWB</b> <b>C1.5 SWB</b>	5235	2740	3020	1980	3180	6237.0	6200	3605
	5735	2990	3020	1980	3680	6737.0	6700	4105
	6235	3240	3020	1980	4180	7237.0	7200	4605
	6335	3290	3020	1980	4280	7337.0	7300	4705
	6735	3490	3020	1980	4680	7737.0	7700	5105
	6935	3590	3020	1980	4880	7937.0	7900	5305
	7235	3740	3020	1980	5180	8237.0	8200	5605
7535	3890	3020	1980	5480	8537.0	8500	5905	
7735	3990	3020	1980	5680	8737.0	8700	6105	
<b>C1.3</b> <b>C1.3 80</b> <b>C1.3 LWB</b> <b>C1.5 SWB</b>	8035	4140	3020	1980	5980	9037.0	9000	6405
	8135	4190	3020	1980	6080	9137.0	9100	6505
	8235	4240	3020	1980	6180	9237.0	9200	6605
	8535	4390	3020	1980	6480	9537.0	9500	6905
	8735	4490	3020	1980	6680	9737.0	9700	7105
	9035	4640	3020	1980	6980	10037.0	10000	7405
	9235	4740	3020	1980	7180	10237.0	10200	7605
	9335	4790	3020	1980	7280	10337.0	10300	7705
	9535	4890	3020	1980	7480	10537.0	10500	7905
	9735	4990	3020	1980	7680	10737.0	10700	8105
	9915	5240	3020	1980	7860	10917.0	10880	8285
	10215	5390	3020	1980	8160	11217.0	11180	8585
	10515	5540	3020	1980	8460	11517.0	11480	8885
	10915	5740	3020	1980	8860	11917.0	11880	9285
	11415	5990	3020	1980	9360	12417.0	12380	9785
11615	6090	3020	1980	9560	12617.0	12580	9985	
11915	6240	3020	1980	9860	12917.0	12880	10285	
12315	6440	3020	1980	10260	13317.0	13280	10685	

## 3 STAGE TRI-FORM MAST

MODEL	MFH H	OALH h1	OALH h6 (Mini Mast)	FL h9	ML h3	Ext Ht W/LBRX h4'	Ext Ht h4	Platform Ht h12
	mm	mm	mm	mm	mm	mm	mm	mm
<b>C1.3</b> <b>C1.3 80</b> <b>C1.3 LWB</b> <b>C1.5 SWB</b>	5625	2490	3020	1980	3570	6627.0	6590	3995
	6375	2740	3020	1980	4320	7377.0	7340	4745
	7125	2990	3020	1980	5070	8127.0	8090	5495
	7875	3240	3020	1980	5820	8877.0	8840	6245
	8625	3490	3020	1980	6570	9627.0	9590	6995
	9375	3740	3020	1980	7320	10377.0	10340	7745
	10125	3990	3020	1980	8070	11127.0	11090	8495
	10875	4240	3020	1980	8820	11877.0	11840	9245
	11625	4490	3020	1980	9570	12627.0	12590	9995
	12375	4740	3020	1980	10320	13377.0	13340	10745

# MAST INFORMATION

Values shown are for standard equipment. When using non-standard equipment these values may change. Please contact your Hyster dealer for information.

## 2 STAGE QUAD-FORM MAST

MODEL	MFH H	OALH h1	OALH h6 (Mini Mast)	FL h9	ML h3	Ext Ht W/LBRX h4'	Ext Ht h4	Platform Ht h12
	mm	mm	mm	mm	mm	mm	mm	mm
<b>C1.5 MWB</b> <b>C1.5 LWB</b>	5415	2990	3020	1980	3360	6417	6380	3785
	5915	3240	3020	1980	3860	6917	6880	4285
	6415	3490	3020	1980	4360	7417	7380	4785
	6915	3740	3020	1980	4860	7917	7880	5285
	7415	3990	3020	1980	5360	8417	8380	5785
	7915	4240	3020	1980	5860	8917	8880	6285
	8415	4490	3020	1980	6360	9417	9380	6785
	8915	4740	3020	1980	6860	9917	9880	7285
	9415	4990	3020	1980	7360	10417	10380	7785
	9915	5240	3020	1980	7860	10917	10880	8285
	10215	5390	3020	1980	8160	11217	11180	8585
	10915	5740	3020	1980	8860	11917	11880	9285
	11415	5990	3020	1980	9360	12417	12380	9785
	11915	6240	3020	1980	9860	12917	12880	10285
12315	6440	3020	1980	10260	13317	13280	10685	

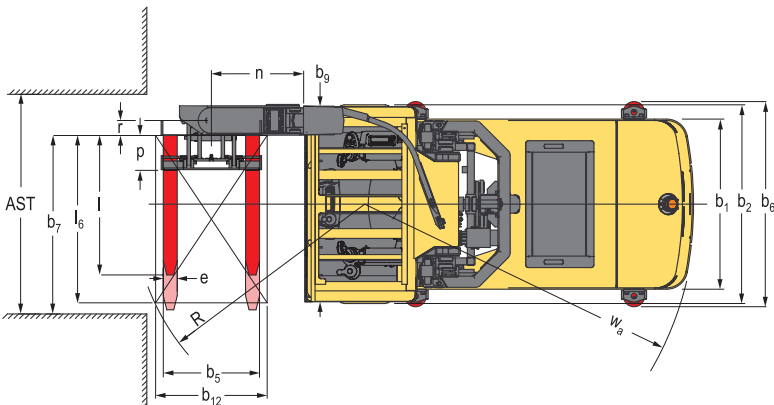
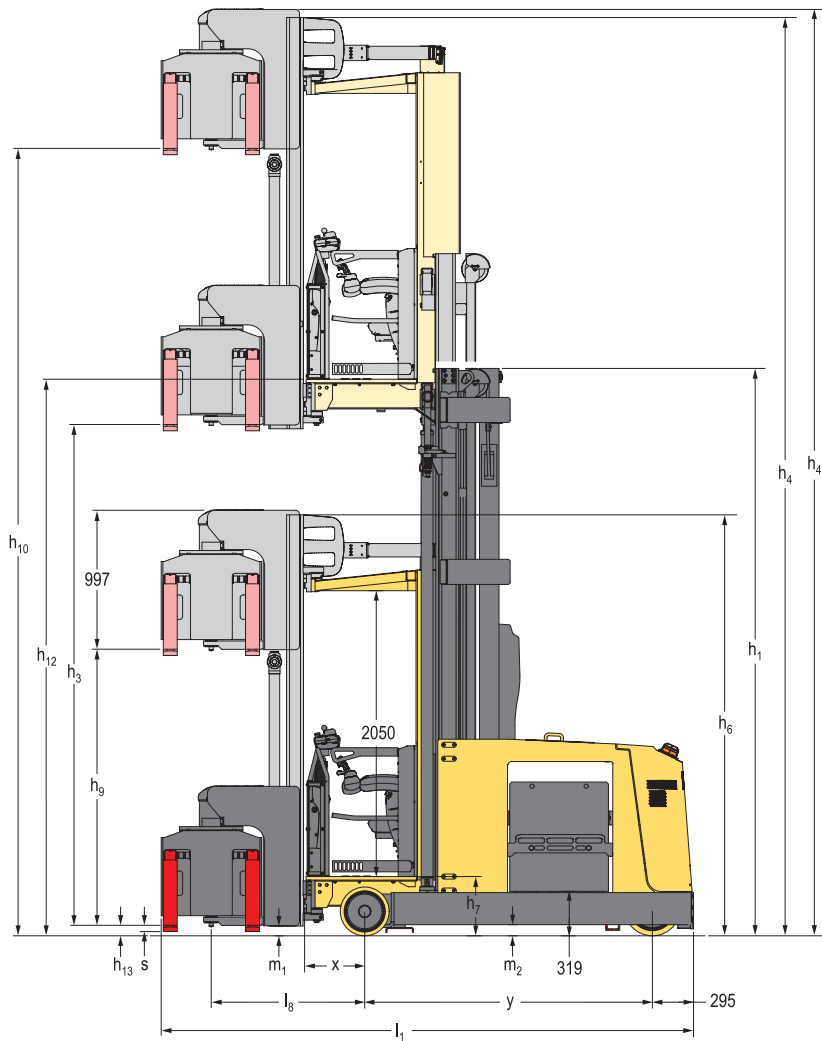
## 3 STAGE QUAD-FORM MAST

MODEL	MFH H	OALH h1	OALH h6 (Mini Mast)	FL h9	ML h3	Ext Ht W/LBRX h4'	Ext Ht h4	Platform Ht h12
	mm	mm	mm	mm	mm	mm	mm	mm
<b>C1.5 MWB</b> <b>C1.5 LWB</b>	6945	2990	3020	1980	4890	7947	7910	5315
	7695	3240	3020	1980	5640	8697	8660	6065
	8445	3490	3020	1980	6390	9447	9410	6815
	9195	3740	3020	1980	7140	10197	10160	7565
	9945	3990	3020	1980	7890	10947	10910	8315
	10695	4240	3020	1980	8640	11697	11660	9065
	11445	4490	3020	1980	9390	12447	12410	9815
	12195	4740	3020	1980	10140	13197	13160	10565
	12945	4990	3020	1980	10890	13947	13910	11315
	13695	5240	3020	1980	11640	14697	14660	12065
	15945	5990	3020	1980	13890	16947	16910	14315

## AUXILIARY MINI MAST OPTIONS

FL h9	OALH, h6 (Mini Mast)	Delta H	Ext Ht W/h3 = 0 h6'	Delta h6	Delta h9	h6' - h6	Delta h4'	Delta h4	MiniMast CL
mm	mm	mm	mm	mm	mm	mm	mm	mm	mm
1980	3020	0	3057	0	0	37	0	0	2950
2140	3020	160	3217	0	160	197	197	0	2950
2720	3585	740	3797	565	740	212	777	565	3515
3000	3865	1020	4077	845	1020	212	1057	845	3795

# TRUCK DIMENSIONS



**NOTE:**

Specifications are affected by the condition of the vehicle and how it is equipped, as well as the nature and condition of the operating area. If these specifications are critical, the proposed application should be discussed with your dealer.

- \* Values for Truck type / Mast height
- ◆ +76mm for 3 stage mast with "n" = 670 (C1.0, C1.3, C1.380, C1.3LWB, C1.5SWB)
- +150mm for 3 stage mast with "n"=670 mm (C1.5MWB, C1.5LWB)
- ◆ Available fork length  
800 - 1000 - 1066 - 1200 mm
- † Ast : load dimension function
- △ -100mm for "n" = 570 mm
- ◇ Au = R + Wa + 200 mm
- ⊕ Forks nested
- ▲ Forks forward = 1200 fork length
- These values may vary of +/- 5%
- ✕ Value referred to S3 25%

All values are nominal values and they are subject to tolerances. For further information, please contact the manufacturer.

**NOTICE**

Care must be exercised when handling elevated loads. When the carriage and/or load is elevated, truck stability is reduced. It is important that mast tilt in either direction be kept to a minimum when loads are elevated. Operators must be trained and adhere to the instructions contained in the Operating Manual. Hyster products are subject to change without notice. Lift trucks illustrated may feature optional equipment. Values may vary with alternative configurations.

**CE Safety:**

This truck conforms to the current EU requirements.

# PRODUCT FEATURES

## DEPENDABILITY

- C1.0-1.5 have been through over intense test cycles, including stress analysis, endurance, thermal and stability tests, as well as field tests in multiple customer applications.
- Patented QUAD-form mast design gives increased rigidity and torsional strength.
- No need for additional support or bracing due to Hyster mast design.

## PRODUCTIVITY

- 30 kW / 80 V motors provides industry leading level of performance
- Max flexibility through slim turret head allows the truck to work in very small aisles
- Integral pantograph on the turret head.
- Excellent fork tip visibility improves handling and controllability.
- Standard load weight sensing calculates speed to height to weight for maximum performance.

## ERGONOMICS

- Hyster C-series is designed and built around operator needs, providing comfortable driving experience and maximum handling efficiency.
- Patented seat provides optimal driver comfort: spring-loaded, return to centre, rotating and adjustable to suit a wide range of operator weights.
- Maximum comfort and leg room through unrivalled cabin space.
- Forward-mounted with 3-way adjustable controls
- Seat-side controls, specifically designed for intensive pallet handling environment.
- Fully adjustable operator controls, for standing and seated positions.
- Infrared sensors to detect operator presence, avoids the need for continual pressure on a button
- Patented large foot sensor gives the driver maximum freedom of movement.

## COST OF OWNERSHIP

- Sealed AC motors minimize maintenance.
- CANbus electronic communication and thermal management systems to keep maintenance to a minimum.
- 1 000 hrs service intervals.
- Efficient energy management system keeps the truck working through extended shifts.
- Wide range of truck configurations and options allows customer to select the most productive and cost efficient model for any application.

## SERVICEABILITY

- Electric Truck AC Control (ETACC) PC-based diagnostic tool.
- Easy service access speeds up maintenance and improve uptime.
- Vehicle System Manager (VSM) delivers diagnostic data to the dash display, anticipating maintenance needs and improving faults diagnosis, as well as aiding correction.

# STRONG PARTNERS. TOUGH TRUCKS.™

## FOR DEMANDING OPERATIONS, EVERYWHERE.

Hyster supplies a complete range of warehouse equipment, IC and electric counterbalanced trucks, container handlers and reach stackers. Hyster is committed to being much more than a lift truck supplier.

Our aim is to offer a complete partnership capable of responding to the full spectrum of material handling issues: Whether you need professional consultancy on your fleet management, fully qualified service support, or reliable parts supply, you can depend on Hyster.

Our network of highly trained dealers provides expert, responsive local support. They can offer cost-effective finance packages and introduce effectively managed maintenance programmes to ensure that you get the best possible value. Our business is dealing with your material handling needs so you can focus on the success of your business today and in the future.



### HYSTER EUROPE

Centennial House, Frimley Business Park, Frimley, Surrey, GU16 7SG, England.

Tel: +44 (0) 1276 538500



[www.hyster.eu](http://www.hyster.eu)



[infoeurope@hyster.com](mailto:infoeurope@hyster.com)



[/HysterEurope](https://www.facebook.com/HysterEurope)




[@HysterEurope](https://twitter.com/HysterEurope)




[/HysterEurope](https://www.youtube.com/HysterEurope)



HYSTER-YALE UK LIMITED trading as Hyster Europe. Registered Address: Centennial House, Building 4.5, Frimley Business Park, Frimley, Surrey, GU16 7SG, United Kingdom. Registered in England and Wales. Company Registration Number: 02636775.

HYSTER,  and FORTENS are registered trademarks in the European Union and certain other jurisdictions.

MONOTROL® is a registered trademark, and DURAMATCH and  are trademarks in the United States and in certain other jurisdictions.

Hyster products are subject to change without notice. Lift trucks illustrated may feature optional equipment.